

Product Specifications

RXRLED Specifications

Product Name	LED Streak Retinoscope RXLED
Generic Name	Retinoscope
Illumination Source	L-102 (a customized LED bulb)
Streak Variations	Divergent Streak, Parallel Streak, Convergent Streak
Streak Rotation	360° Continuous Rotation
Battery	1 pc. Lithium-ion battery (Type 18650, rated voltage 3.6V, 3350mAh)
Maximum Power Consumption	Below 2W (with the head attached)
Dimensions and Weight	34(W)×269(H)×34(D) Approx.280g (including the rechargeable battery)
Optional Accessories	Presbyopic Lens (+1D, +2 D, +3 D),FiD,Fixation Card Set RX

RXRSPLED Specifications

Product Name	LED Spot Retinoscope RXSPLED
Generic Name	Retinoscope
Illumination Source	L-103 (a customized LED bulb)
Head Attachment	To protect the examiner's eyeglasses during.
Battery	1 pc. Lithium-ion battery (Type 18650, rated voltage 3.6V, 3350mAh)
Maximum Power Consumption	Below 2W (with the head attached)
Dimensions and Weight	34(W)×266(H)×34(D) Approx.240g (including the rechargeable battery)
Optional Accessories	Presbyopic Lens (+1 D, +2 D, +3 D),Fixation Card Set RXSP

RC-III Specifications

Product Name	Charging Stand RC-III
Input power supply	AC 100V -240V / 50Hz-60Hz, 0.3A
AC adapter output	USB Type A connector DC 5V / 2A (maximum)
USB cable	Type A to C, 1.5m (with overheat and over current protection)
Power consumption	Below 30VA (while charging)
Dimensions and Weight	60(W)×60(H)×60(D) Approx.175g (excluding the AC adapter)

Classification

Degree of protection against electric shock	Class II ME equipment
Applied parts	No applied parts
Degree of protection against harmful ingress of water or particulate matter	IPX0
Method(s) of sterilization	Do not sterilize.
Suitability for use in an oxygen rich environment	Do not use in oxygen rich environments.
Mode of operation	Continuous operation

Applied Standards

Electric safety	IEC 60601-1:2020
Electromagnetic disturbances	IEC 60601-1-2:2020
Usability engineering	IEC 62366-1:2020
Alarm system	IEC 60601-1-8:2020
Biological evaluation	ISO 10993-1:2018
Ophthalmic instruments	ISO 15004-1:2020, ISO 15004-2:2007, prISO 15004-2:2024
Retinoscopes	ISO 12865:2006
Medical device software	IEC 62304:2015
Battery regulation	2023/1542/EU
Hazardous substances	2011/65/EU and 2015/863/EU

Environmental Conditions

	Use	Storage	Transport
Temperature	+10 °C to +35°C	-10 °C to +55°C	-10 °C to +60°C
Relative humidity (no condensation)	30 % to 90 %	10 % to 95 %	10 % to 95 %
Atmospheric pressure	800 hPa to 1060 hPa	500 hPa to 1060 hPa	500 hPa to 1060 hPa

Accessory

Carrying case



LED STREAK RETINOSCOPE

LED SPOT RETINOSCOPE

CHARGING STAND

RXRLED
RXRSPLED
RC-III

The Features of LED Retinoscopes

3-8 TIMES Brighter Illumination Field

The streak light model is about three to five times, the spot light model is five to eight times brighter than our halogen bulb models. Easily visible screening even in a bright room.

SMOOTH Smooth Light Control

Smooth stepless light control from the minimum to the maximum. Reduces the burden of the patient caused by photophobia. Clear fundus observation.

BOOST Boost Mode for More Brightness

Switchable between normal mode and much brighter boost mode.

Ra:90 High Color-rendering LED

Ra: More than 90, R9: More than 50
Color temperature: 3000K
No need of light bulb replacement. Maintenance-free
LED lifetime: 50,000 hours

Li-ion Powered by Li-ion Battery

The retinoscope can be stored in the table-top charger while charging.

Basic Functions



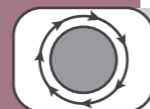
Pursuit of Visibility

The anti-reflection filter provides wide and clear field of view. This reduces the sense of fatigue due to a long-time use.



Pursuit of Usability

The streak can be easily set at the best position. The rotation and the width change of the streak are separately controlled. Rotating the streak does not affect the streak width. The lightweight retinoscope head rotates freely.



Free Streak Rotation

The streak rotates 360 degrees. You can rotate it from any position and is useful for measurement of the axis of myopia. Furthermore, the retinoscope is equipped with the Head Attachment Mount for eyeglasses wearers and the feature to attach a presbyopia lens easily.



Sharp Streak Light

The precision cut slit realizes the sharp and clear streak light.

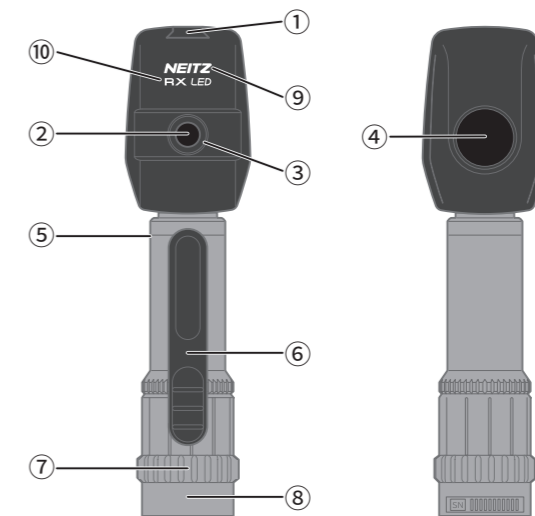


Fixation Card Set

The Fixation Card FC Set is available for use in dynamic retinoscopy. Consists of two fixation cards and a card holder. (Optional)

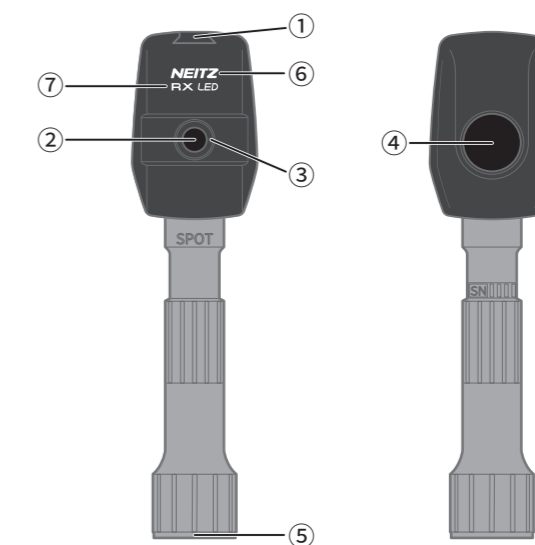
Various Functions

RXLED Head (Streak Retinoscope)



- ① Head Attachment Mount
- ② Viewing Window
- ③ Viewing Window Rim
- ④ Illumination Opening
- ⑤ Reference Line
- ⑥ Streak Adjustment Lever
- ⑦ Head Rotation Ring
- ⑧ Head Joint
- ⑨ Manufacturer's Logo
- ⑩ Model Logo

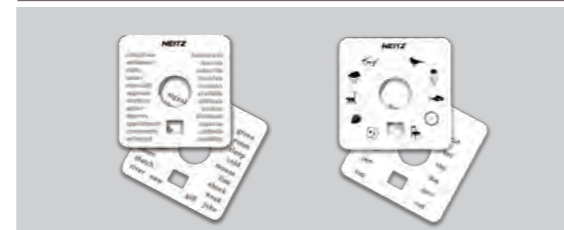
RXSPLED Head (Spot Retinoscope)



- ① Head Attachment Mount
- ② Viewing Window
- ③ Viewing Window Rim
- ④ Illumination Opening
- ⑤ Head Joint
- ⑥ Manufacturer's Logo
- ⑦ Model Logo



Fixation Card Set FC (Optional)



Two types of fixation card

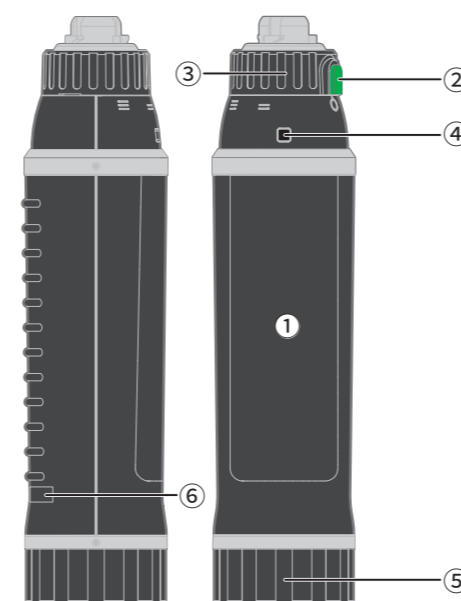


Card Holder RX



Card Holder RX-SP

LED Rechargeable Battery Handle



- ① LED Rechargeable Battery Handle (LH-1200)
- ② Switch Button
- ③ Switch Ring
- ④ Pilot Lamp
- ⑤ Bottom Cap with Built-in Battery Unit
- ⑥ Serial Number and Information Mark
- ⑦ Charging Port
- ⑧ LED Indicator
- ⑨ Manufacturer's Logo
- ⑩ Model Logo
- ⑪ USB Type Logo
- ⑫ USB Jack
- ⑬ Negative Contact
- ⑭ Positive Contact

Charging Stand

